



KONICA MINOLTA

## IQue Special Edition (SE) Computed Radiography

Introducing the Latest Generation  
Automatic Computed Radiography  
System From Konica Minolta

**IQue SE** features auto recognition and self-learning capabilities designed to address the unique requirements of Imaging Centers, Orthopedic offices, clinics and hospital departments such as ICU and OR. **IQue SE** is an intelligent, simple-to-operate computed radiography system that combines innovation in systems intelligence with proven reliability.

### Customer Recognized Values

---

Full compliment of Image Processing Presets — Including

#### **Hybrid® Image Processing**

---

Automatic Exam View Recognition

---

A New Standard in “Ease of Use”

---

Reliable, Industry Validated CR Reader

---

Superior Image Quality — Right Out of the Box

---

System “Learns” Your Preferences and Adjusts Automatically

---

User Operated Cassette Release Key

---

Dual Bay Reader Supports Optimized Performance and Efficiency

---

Shortest CR Learning Curve

---



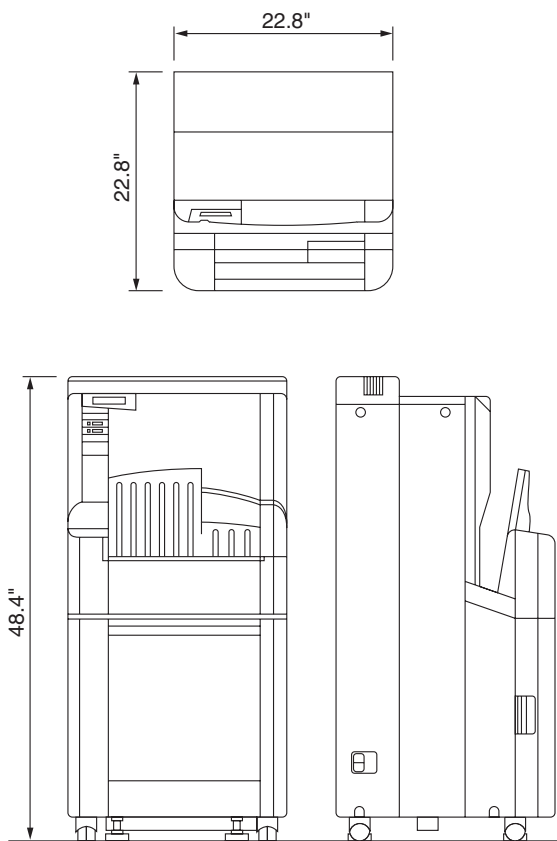
*IQue SE Shown with  
Optional CS Shelf System*

Ask your Konica Minolta representative about the benefits of  
“Going Digital” with the intelligent, simple to use **IQue SE**

The essentials of imaging

# “Going Digital” with **IQue SE Computed Radiography**

The value of “Going Digital” is well known. The benefits include the elimination of wet processing chemicals, the reduction of retakes and the consistent production of high quality images. However, users are concerned with the learning curve often associated with new technology adoption. **IQue SE** eliminates these concerns. The built in intelligence of this system allows first-time users of Computed Radiography to produce consistent, high quality images out of the box with minimal instruction.



## Reader Specifications\*

<b>Cycle Time</b>	58 seconds (14" x 17")
<b>Image Preview</b>	31 seconds (14" x 17")
<b>Plate Throughput</b>	62 plates an hour (14" x 17")
<b>Resolution</b>	4020 x 4892 (14" x 17")(high resolution)
<b>Grayscale Output</b>	4096 (or 12 bits)
<b>Cassette Sizes</b>	14" x 17", 14" x 14", 11" x 14", 10" x 12", 8" x 10", 15 x 30cm, 24 x 30cm
<b>Weight</b>	374 lbs.
<b>Dimensions</b>	W23" x D23" x H48"
<b>Power Source</b>	AC 100–240V ±10% (50/60 Hz)
<b>Heat Generation</b>	1.1kW or 1,232 BTU
<b>Operating Conditions</b>	Temperature: 15°C – 30°C Humidity: 40% – 80% (non condensing)

## Control Station Specifications\*

<b>DICOM Services</b>	DICOM Storage (CR/DX SCU) or DICOM Print SCU DICOM Modality Worklist SCU DICOM Grayscale Standard Display Function SCU DICOM Modality Performed Procedure Step SCU DICOM Storage Commitment SCU
<b>Image Output</b>	Up to 2 DICOM Store Up to 2 DICOM Print
<b>Image Processing</b>	Automatic Gradation Processing (G processing) Frequency Processing (F processing) Equalization Processing (E processing) Hybrid Processing (H processing)
<b>Image Storage Capacity</b>	Approximately 5,000 images
<b>Dimensions</b>	PC: 7.2"(W) x 15.8"(D) x 14.5"(H) Touch Screen: 15.5"(W) x 2.6"(D) x 12.8"(H)
<b>Weight</b>	PC: 25 lbs.; Touch Screen: 11 lbs.
<b>Power Source</b>	PC: AC 100–240V; 50/60 Hz Touch Screen: AC 100–240V; 50/60 Hz
<b>Heat Generation</b>	PC: Approx. 250 Watts or 427 BTU Touch Screen: 100 Watts or 171 BTU
<b>Operating Conditions</b>	Temperature: 15°C – 30°C Humidity: 40% – 80% (non condensing)

\*Specifications are subject to change without notice.

## Konicare Customer Satisfaction

Konica Minolta CR is backed by a 12-month warranty and a 2-year warranty on the image plate. At Konica Minolta, complete customer satisfaction is our goal. That is why we created Konicare. The Konicare program encompasses all aspects of customer oriented activities from installation management and clinical applications training to remote technical support and Biomedical training. It makes good sense to protect your investment in mission critical medical imaging devices. Konicare's broad range of Customer Satisfaction Agreements enable you to select the coverage that suits your need.



**KONICA MINOLTA**

**KONICA MINOLTA MEDICAL IMAGING USA, INC.**  
411 NEWARK POMPTON TURNPIKE  
WAYNE, NJ 07470  
TEL: (973) 633-1500 FAX: (973) 523-7408  
WEBSITE: [medical.konicaminolta.us](http://medical.konicaminolta.us)